

Manual

DIAMOND BACK FIRING CONTROL SYSTEM 2.0

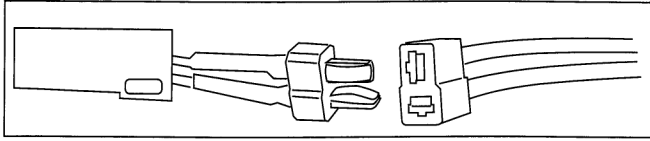
FALCON Digital Firing Control System Is Available In Three Modes

MODE 1: 1 to 5 Shots Are Selectable

MODE 2: Adjusting Trigger Sensitivity

MODE 3: 1 Shot For Each Trigger Pull & Release Mode

We Recommend To Use The T-plug For Conversion To Make Sure You Operate Smoothly



—, Instructions For FALCON Digital Firing Control System

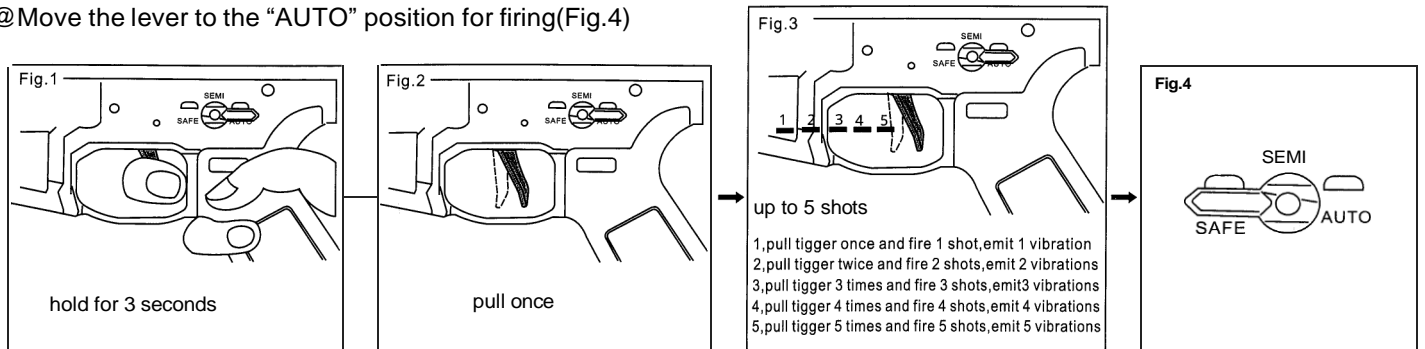
MODE 1: 1 to 5 Shots Are Selectable

@ Move the lever to the "SAFE" position, pull the trigger and hold for 3 seconds, then release after the rifle emit vibration (Fig.1)

2 Pull the trigger 1 more time and the mode 1 will be activated when the rifle emit vibration (Fig.2)

@ Set and select the quantity shots of each firing you want (up to 5), the number of the trigger is pulled corresponds to the number of shots (Fig. 3)

@ Move the lever to the "AUTO" position for firing (Fig.4)

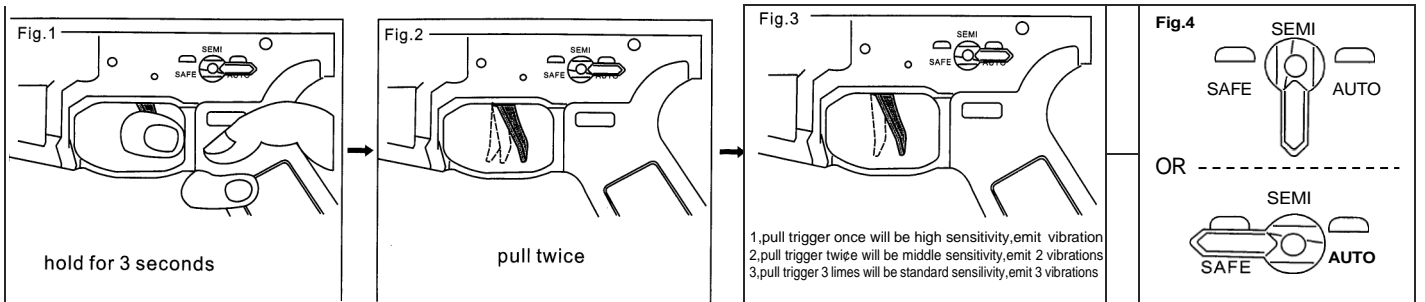


MODE 2: Adjusting Trigger Sensitivity (3 different sensitivities)

@ Move the lever to the "SAFE" position, pull the trigger and hold for 3 seconds, then release after the rifle emit vibration (Fig. 1)
Pull the trigger twice and the mode 2 will be activated (Fig.2)

@ Pull trigger once will be high sensitivity, pull twice will be middle sensitivity, pull 3 times will be standard sensitivity (Fig.3)

@ According to your preference to move the lever to the "SEMI" or "AUTO" position for firing (Fig.4)



MODE 3: 1 Shot For Each Trigger Pull & Release Mode

@ Move the lever to the "SAFE" position, pull the trigger and hold for 3 seconds, then release after the rifle emit vibration (Fig.1)

2 Pull the trigger 3 times then release (Fig.2)

@ Move the lever to the "SEMI" position, then firing 1 shot for each while pulling and releasing the trigger (Fig. 3)

(If you want to cancel this function: move the lever to the "SAFE" position again, pull and hold the trigger 3 seconds then release then pull trigger 3 times again.)

This function is cycle operation.

